



## **IQXO-74x**

**5 x 3.2mm ceramic SMD oscillator**

<b>Model Name</b>	<b>Description</b>
<b>IQXO-740</b>	<b>A 3.3V version</b>
<b>IQXO-741</b>	<b>A 2.5V version</b>

ISSUE 1; December 2017

### Description

- 5 x 3.2mm ceramic SMD oscillator

### Frequency Parameters

- Frequency: 80.0MHz to 160.0MHz
- Frequency Tolerance:  $\pm 20.00\text{ppm}$  to  $\pm 100.00\text{ppm}$
- Frequency Stability:  $\pm 20.00\text{ppm}$  to  $\pm 100.00\text{ppm}$
- Ageing:  $\pm 3\text{ppm}$  max per year @ 25°C

### Electrical Parameters

- Supply Voltage: 3.3V  $\pm 5\%$
- Start up time: 10ms max

### Operating Temperature Ranges

- 0 to 70°C
- 40 to 85°C

### Output Details

- Output Compatibility: LVDS
- Drive Capability: 100Ω
- Output Voltage Logic Low: 1.43V typical, 1.6V max  
Output Voltage Logic High: 1.1V typical, 0.9V min
- Output Differential Voltage: 247mV to 454mV max, 350mV typical
- Output Offset Voltage: 1.125V to 1.375V max, 1.2V typical

### Output Control

- Logic '1' to pad 1 (70%Vs min) enables oscillator outputs  
Logic '0' to pad 1 (30%Vs max) disables oscillator outputs, oscillator outputs go to the high impedance state  
No connection to pad 1 enables oscillator outputs

### Noise Parameters

- Phase Jitter (12kHz to 20MHz): 1ps rms max

### Environmental Parameters

- Storage Temperature Range: -55 to 125°C
- Drop: 120cm drop (3 times) onto hard wooden board
- Vibration: MIL-STD-883, Method 2007, Test Condition A: 10Hz-55Hz-10Hz, 1.5mm amplitude, full sine, 2mins per cycle, 3 mutually perpendicular planes, 2hrs duration in each plane

### Ordering Information

- Frequency\*
- Model\*
- Output
- Frequency Stability (over operating temperature range)\*
- Operating Temperature Range\*
- Supply Voltage
- (\*minimum required)
- Example:  
100.0MHz IQXO-740  
LVDS  $\pm 50\text{ppm}$  0 to 70C 3.3V

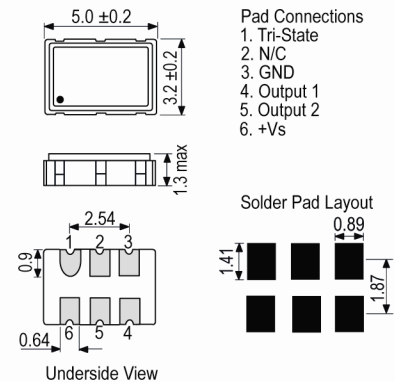
### Compliance

- RoHS Status (2011/65/EU): Compliant
- REACH Status: Compliant
- MSL Rating (JDEC-STD-033): Not Applicable

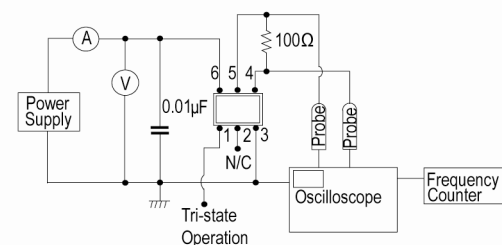
### Packaging Details

- Pack Style: Reel Tape & reel in accordance with EIA-481-D  
Pack Size: 1,000

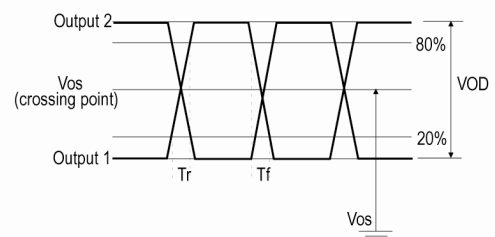
### Outline (mm)



### Test Circuit



### Wave Form





ISSUE 1; December 2017

Electrical Specification - maximum limiting values 3.3V  $\pm$ 5%

Frequency Min	Frequency Max	Temperature Range	Stability (Min)	Current Draw	Rise and Fall Time	Duty Cycle
		°C	ppm	mA	ns	%
80.0MHz	160.0MHz	0 to 70	$\pm$ 20.0	66	0.7	45/55%
		-40 to 85	$\pm$ 20.0	66	0.7	45/55%

*This document was correct at the time of printing; please contact your local sales office for the latest version.*

[Click to view latest version on our website.](#)

ISSUE 1; December 2017

### Description

- 5 x 3.2mm ceramic SMD oscillator

### Frequency Parameters

- Frequency: 80.0MHz to 160.0MHz
- Frequency Tolerance:  $\pm 20.00\text{ppm}$  to  $\pm 100.00\text{ppm}$
- Frequency Stability:  $\pm 20.00\text{ppm}$  to  $\pm 100.00\text{ppm}$
- Ageing:  $\pm 3\text{ppm}$  max per year @ 25°C

### Electrical Parameters

- Supply Voltage: 2.5V  $\pm 5\%$
- Start up time: 10ms max

### Operating Temperature Ranges

- 0 to 70°C
- 40 to 85°C

### Output Details

- Output Compatibility: LVDS
- Drive Capability: 100Ω
- Output Voltage Logic Low: 1.43V typical, 1.6V max  
Output Voltage Logic High: 1.1V typical, 0.9V min
- Output Differential Voltage: 247mV to 454mV max, 350mV typical
- Output Offset Voltage: 1.125V to 1.375V max, 1.2V typical

### Output Control

- Logic '1' to pad 1 (70%Vs min) enables oscillator outputs  
Logic '0' to pad 1 (30%Vs max) disables oscillator outputs, oscillator outputs go to the high impedance state  
No connection to pad 1 enables oscillator outputs

### Noise Parameters

- Phase Jitter (12kHz to 20MHz): 1ps rms max

### Environmental Parameters

- Storage Temperature Range: -55 to 125°C
- Drop: 120cm drop (3 times) onto hard wooden board
- Vibration: MIL-STD-883, Method 2007, Test Condition A:  
10Hz-55Hz-10Hz, 1.5mm amplitude, full sine, 2mins per cycle,  
3 mutually perpendicular planes, 2hrs duration in each plane

### Ordering Information

- Frequency\*
- Model\*
- Output
- Frequency Stability (over operating temperature range)\*
- Operating Temperature Range\*
- Supply Voltage  
(\*minimum required)
- Example  
100.0MHz IQXO-741  
LVDS  $\pm 50\text{ppm}$  0 to 70C 2.5V

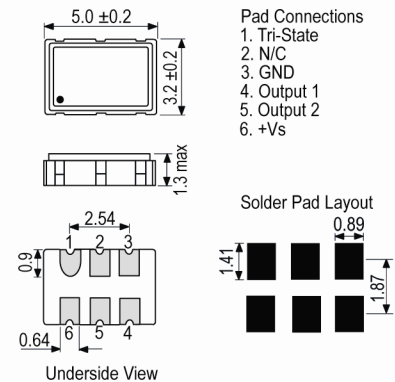
### Compliance

- RoHS Status (2011/65/EU): Compliant
- REACH Status: Compliant
- MSL Rating (JDEC-STD-033): Not Applicable

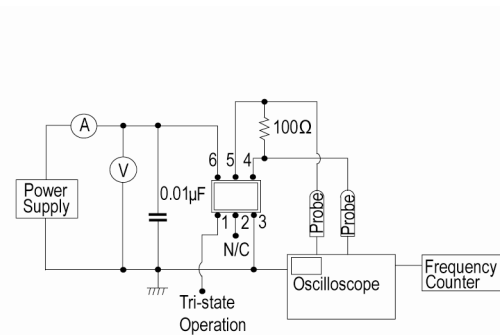
### Packaging Details

- Pack Style: Reel Tape & reel in accordance with EIA-481-D  
Pack Size: 1,000

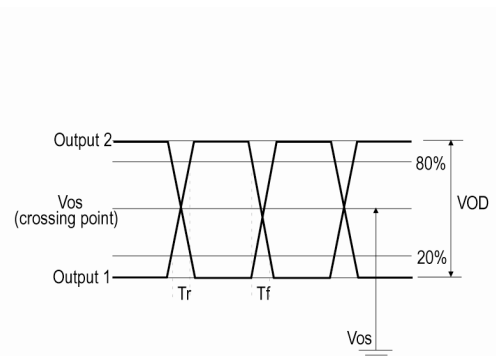
### Outline (mm)



### Test Circuit



### Wave Form



ISSUE 1; December 2017

Electrical Specification - maximum limiting values 2.5V  $\pm$ 5%

Frequency Min	Frequency Max	Temperature Range	Stability (Min)	Current Draw	Rise and Fall Time	Duty Cycle
		°C	ppm	mA	ns	%
80.0MHz	160.0MHz	0 to 70	$\pm$ 20.0	66	0.7	45/55%
		-40 to 85	$\pm$ 20.0	66	0.7	45/55%

*This document was correct at the time of printing; please contact your local sales office for the latest version.*

[Click to view latest version on our website.](#)

**Sales Office Contact Details:**

UK: +44 (0)1460 270200

Germany: 0800 1808 443

France: 0800 901 383

USA: +1.760.318.2824

Email: [info@iqdfrequencyproducts.com](mailto:info@iqdfrequencyproducts.com)

Web: [www.iqdfrequencyproducts.com](http://www.iqdfrequencyproducts.com)