

ISSUE 4; April 2021

Description

- A quartz crystal in a ceramic package with a electron beam sealed metal lid.

Frequency Parameters

- Frequency 32.0MHz to 80.0MHz
- Frequency Tolerance $\pm 7.00\text{ppm}$ to $\pm 100.00\text{ppm}$
- Frequency Stability $\pm 10.00\text{ppm}$ to $\pm 50.00\text{ppm}$

Electrical Parameters

- Load Capacitance (CL) 5.0pF to 30.0pF
- Shunt Capacitance (C0) 5pF max
- Drive Level 100 μ W max

Operating Temperature Ranges

- -20 to 70°C
- -40 to 85°C

Environmental Parameters

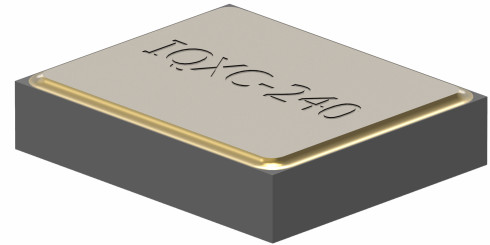
- Storage Temperature Range: -55 to 125°C

Compliance

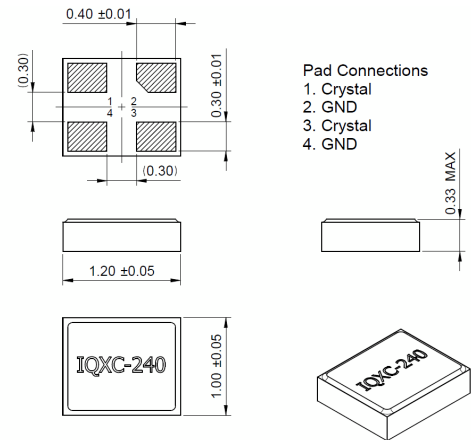
- RoHS Status (2015/863/EU) Compliant
- REACH Status Compliant
- MSL Rating (JDEC-STD-033): Not Applicable

Packaging Details

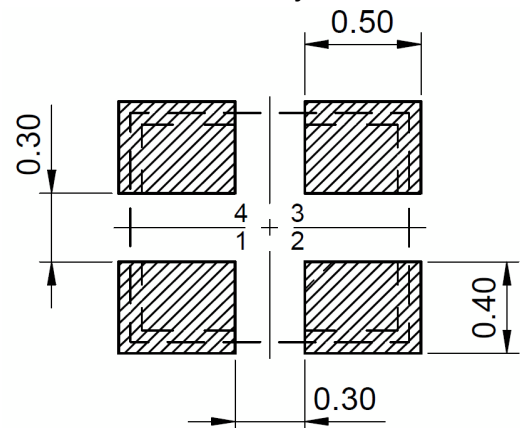
- Pack Style: Reel Tape & reel in accordance with EIA-481D
Pack Size: 5,000
- Pack Style: Cutt Cut tape
Pack Size: 100



Outline (mm)



Recommended Solder Pad Layout



Sales Office Contact Details:

UK: +44 (0)1460 270200
Germany: 0800 1808 443

France: 0800 901 383
USA: +1.760.318.2824

Email: info@iqdfrequencyproducts.com
Web: www.iqdfrequencyproducts.com

Electrical Specification - maximum limiting values

Frequency Min	Frequency Max	Temperature Range	Stability (Min)	Over Tone Order	ESR
		°C	ppm		Ω
32.0MHz	33.0MHz	-20 to 70 -40 to 85	±10 ±15	Fundamental	100
33.000001MHz	37.0MHz	-20 to 70 -40 to 85	±10 ±15	Fundamental	80
37.000001MHz	80.0MHz	-20 to 70 -40 to 85	±10 ±15	Fundamental	60

*Stability Maximum values ±50ppm

This document was correct at the time of printing; please contact your local sales office for the latest version.

[Click to view latest version on our website.](#)

Sales Office Contact Details:

UK: +44 (0)1460 270200
Germany: 0800 1808 443

France: 0800 901 383
USA: +1.760.318.2824

Email: info@iqdfrequencyproducts.com
Web: www.iqdfrequencyproducts.com