

ISSUE 2; July 2019

Description

- Resistance welded, hermetically sealed metal package sealed in an inert atmosphere with glass to metal seals securing the lead wires. The lead wires are formed into a gull wing and mounted on a plastic former and is suitable for automotive applications. Qualified to AEC-Q200 and with IATF-16949:2016 release. Not suitable for safety critical applications.

Frequency Parameters

- Frequency 3.01MHz to 100.0MHz
- Frequency Tolerance $\pm 10.00\text{ppm}$ to $\pm 50.00\text{ppm}$
- Frequency Stability $\pm 15.00\text{ppm}$ to $\pm 100.00\text{ppm}$
- Ageing $\pm 5\text{ppm}$ max per year @ 25°C

Electrical Parameters

- Load Capacitance (CL) 10.0pF to 75.0pF
- Shunt Capacitance (C0) 7pF max
- Drive Level 50µW standard

Operating Temperature Ranges

- 40 to 85°C
- 40 to 125°C

Environmental Parameters

- Storage Temperature Range: -40 to 150°C
- Qualified to AEC-Q200

Manufacturing Details

- RoHS Terminations SnAgCu
- RoHS Reflow 260degC 10s

Ordering Information

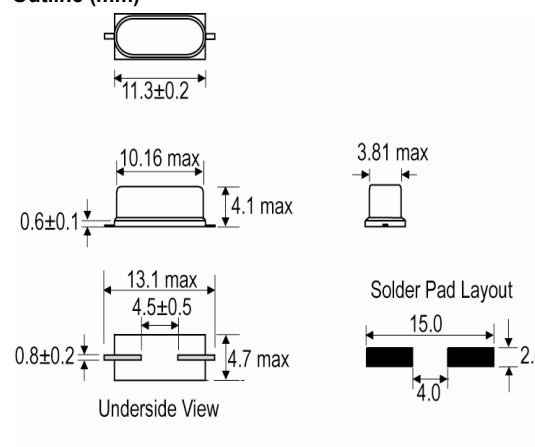
- Frequency*
 Model*
 Frequency Tolerance (@25°C)*
 Frequency Stability (over operating temperature range)*
 Operating Temperature Range*
 Load Capacitance*
 Overtone*
- Example
 10.00MHz HC49/4HSMX AUTO
 50/100/-40 to 125C/16 FUND

Compliance

- RoHS Status (2011/65/EU) Compliant
- REACH Status Compliant
- MSL Rating (JDEC-STD-033): Not Applicable



Outline (mm)



Sales Office Contact Details:

UK: +44 (0)1460 270200
 Germany: 0800 1808 443

France: 0800 901 383
 USA: +1.760.318.2824

Email: info@iqdfrequencyproducts.com
 Web: www.iqdfrequencyproducts.com

Packaging Details

- Pack Style: Reel Tape & reel in accordance with EIA-481-D
 Pack Size: 2,000
- Pack Style: Bulk Loose in bulk pack
 Pack Size: 100
- Pack Style: Cutt On tape cut from a reel
 Pack Size: 100

Electrical Specification - maximum limiting values

Frequency Min	Frequency Max	Temperature Range	Stability (Min)	Over Tone Order	ESR
		°C	ppm		Ω
3.01MHz	4.0MHz	-40 to 85 -40 to 125	±15 ±50	Fundamental	300
4.000001MHz	5.5MHz	-40 to 85 -40 to 125	±15 ±50	Fundamental	130
5.500001MHz	8.0MHz	-40 to 85 -40 to 125	±15 ±50	Fundamental	80
8.000001MHz	40.0MHz	-40 to 85 -40 to 125	±15 ±50	Fundamental	60
26.0MHz	100.0MHz	-40 to 85 -40 to 125	±15 ±50	3rd Overtone	100

*Stability Maximum values ±100ppm

This document was correct at the time of printing; please contact your local sales office for the latest version.

[Click to view latest version on our website.](#)

Sales Office Contact Details:

UK: +44 (0)1460 270200
 Germany: 0800 1808 443

France: 0800 901 383
 USA: +1.760.318.2824

Email: info@iqdfrequencyproducts.com
 Web: www.iqdfrequencyproducts.com