

ISSUE 17; September 2019

**Description**

- Industry standard low cost SMD version of the HC49/4H crystal  
Resistance welded, hermetically sealed in an inert atmosphere, glass to metal seals on leads  
Lead wires are mounted onto a plastic former to create a gull wing mount  
Low profile versions available please contact our sales offices for details  
Stock parts available

**Frequency Parameters**

- Frequency 3.2MHz to 100.0MHz
- Frequency Tolerance  $\pm 10.00\text{ppm}$  to  $\pm 100.00\text{ppm}$   
@ 25°C  $\pm 2^\circ\text{C}$
- Tolerance Condition
- Frequency Stability  $\pm 15.00\text{ppm}$  to  $\pm 500.00\text{ppm}$
- Ageing  $\pm 5\text{ppm typ per year @ } 25^\circ\text{C}$

**Electrical Parameters**

- Load Capacitance (CL) 10.0pF to 75.0pF
- Shunt Capacitance (C0) 7pF max
- Drive Level 500 $\mu\text{W}$  max

**Operating Temperature Ranges**

- 0 to 50°C
- -10 to 60°C
- -20 to 70°C
- -30 to 80°C
- -40 to 85°C
- -55 to 105°C

**Environmental Parameters**

- Shock: 981m/s<sup>2</sup>, 6ms, 3 times in each of 3 mutually perpendicular planes
- Vibration: 10Hz-60Hz, 0.75mm amplitude, 60Hz-500Hz, 98.1m/s<sup>2</sup>, 30mins in 3 mutually perpendicular planes
- Storage Temperature Range: -55 to 125°C

**Ordering Information**

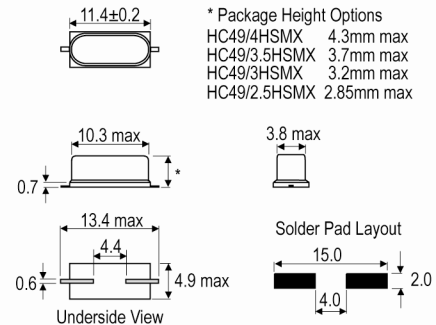
- Frequency\*
- Model\*
- Frequency Tolerance (@ 25°C)\*
- Frequency Stability (over operating temperature range)\*
- Operating Temperature Range\*
- Load Capacitance\*
- Overtone\*
- (\*minimum required)
- Example  
10.00MHz HC49/4HSMX  
50/50/-40 to 85C/10 FUND

**Compliance**

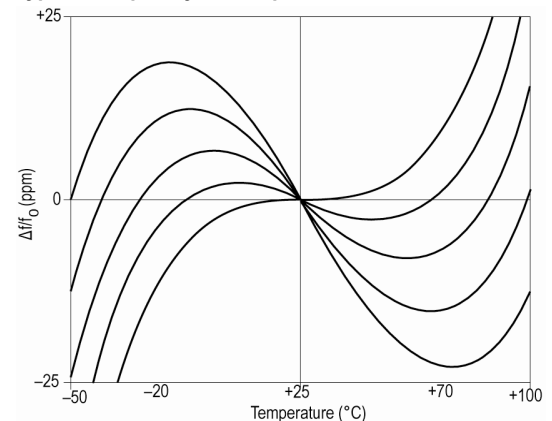
- RoHS Status (2011/65/EU) Compliant
- REACH Status Compliant
- MSL Rating (JEDEC-STD-033): Not Applicable



**Outline (mm)**



**Typical Frequency vs Temperature Curves**



**Sales Office Contact Details:**

UK: +44 (0)1460 270200  
Germany: 0800 1808 443

France: 0800 901 383  
USA: +1.760.318.2824

Email: [info@iqdfrequencyproducts.com](mailto:info@iqdfrequencyproducts.com)  
Web: [www.iqdfrequencyproducts.com](http://www.iqdfrequencyproducts.com)

**Packaging Details**

- Pack Style: Cutt      In tape, cut from a reel  
 Pack Size: 100
- Pack Style: Reel      Tape & reel in accordance with EIA-481-D  
 Pack Size: 1,000

**Electrical Specification - maximum limiting values**

Frequency Min	Frequency Max	Temperature Range	Stability (min)*	Over Tone Order	ESR
		°C	ppm		Ω
3.2MHz	3.999999MHz	0 to 50 -10 to 60 -20 to 70 -30 to 80 -40 to 85 -55 to 105	±15 ±20 ±20 ±25 ±30 ±100	Fundamental	300
4.0MHz	5.499999MHz	0 to 50 -10 to 60 -20 to 70 -30 to 80 -40 to 85 -55 to 105	±15 ±20 ±20 ±25 ±30 ±100	Fundamental	130
5.5MHz	7.999999MHz	0 to 50 -10 to 60 -20 to 70 -30 to 80 -40 to 85 -55 to 105	±15 ±20 ±20 ±25 ±30 ±100	Fundamental	60
8.0MHz	39.999999MHz	0 to 50 -10 to 60 -20 to 70 -30 to 80 -40 to 85 -55 to 105	±15 ±20 ±20 ±25 ±30 ±100	Fundamental	40
26.0MHz	100.0MHz	0 to 50 -10 to 60 -20 to 70 -30 to 80 -40 to 85 -55 to 105	±15 ±20 ±20 ±25 ±30 ±100	3rd Overtone	100

\*Stability Maximum values ±500ppm

This document was correct at the time of printing; please contact your local sales office for the latest version.

[Click to view latest version on our website.](#)

**Sales Office Contact Details:**

UK: +44 (0)1460 270200  
 Germany: 0800 1808 443

France: 0800 901 383  
 USA: +1.760.318.2824

Email: [info@iqdfrequencyproducts.com](mailto:info@iqdfrequencyproducts.com)  
 Web: [www.iqdfrequencyproducts.com](http://www.iqdfrequencyproducts.com)