

ISSUE 6; August 2021

Description

- 2 x 6mm watch crystal with pre-formed legs to make a SMD package. Suitable for real time clock applications.

Frequency Parameters

- Frequency 32.768kHz
- Frequency Tolerance $\pm 20.00\text{ppm}$
- Tolerance Condition @ 25°C
- Ageing $\pm 5\text{ppm}$ max in 1st year

Electrical Parameters

- Load Capacitance (CL) 6.0pF to 12.5pF
- Shunt Capacitance (C0) 1.6pF typical
- Drive Level 1.0 μ W max
- Motional Capacitance (C1): 3.2fF typ
- Frequency Stability Coefficient: $-0.034\text{ppm}/^\circ\text{C}^2 \pm 0.006\text{ppm}/^\circ\text{C}^2$

Operating Temperature Ranges

- 40 to 85°C

Environmental Parameters

- Storage Temperature Range: -40 to 85°C
- High Temperature Storage: 85°C for 24hrs.
- Drop: 75cm drop (3 times) onto hard wooden board.

Manufacturing Details

- Suitable for reflow soldering at 245°C max for 10sec max x 1 cycle.
- Note: Do not solder the body of the device to any PCB pads. Use other bonding methods such as adhesive, sealant, sticky-pads.
- RoHS Terminations SnAgCu
- RoHS Reflow 245°C for 10secs max

Ordering Information

- Frequency*
- Model*
- Frequency Tolerance @25°C
- Load Capacitance*
- Example
32.768kHz CFPX-56
20/-/12.5

Compliance

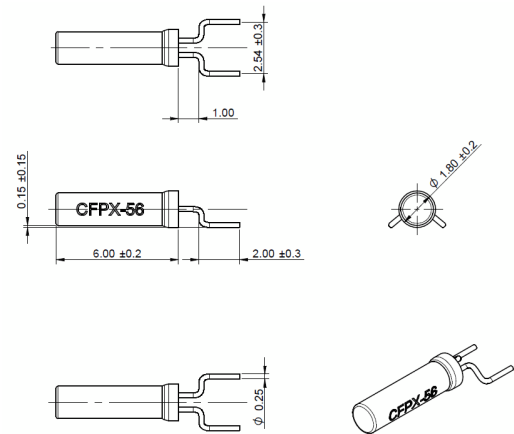
- RoHS Status (2015/863/EU) Compliant
- REACH Status Compliant
- MSL Rating (JDEC-STD-033): Not Applicable

Packaging Details

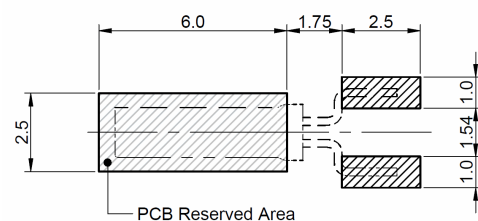
- Pack Style: Bulk Loose in bulk pack
Pack Size: 100
- Pack Style: Reel Tape & reel in accordance with EIA-481-D
Pack Size: 3,000



Outline (mm)



Recommended Solder Pad Layout



NOTE: Do not solder the body of this device to any PCB pads. Use other bonding methods such as adhesive sealant, sticky pads.

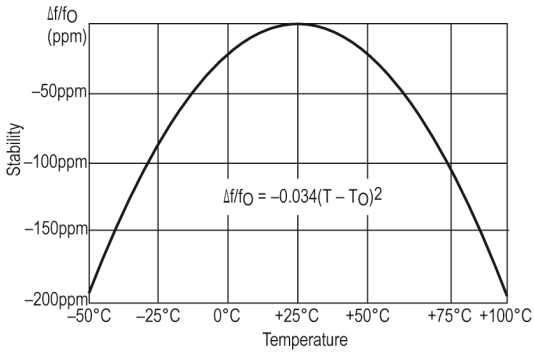
Sales Office Contact Details:

UK: +44 (0)1460 270200
Germany: 0800 1808 443

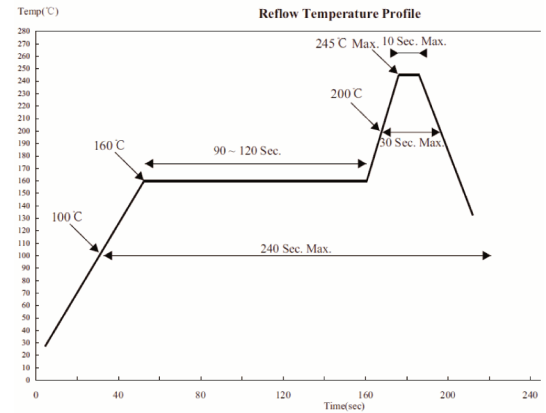
France: 0800 901 383
USA: +1.760.318.2824

Email: info@iqdfrequencyproducts.com
Web: www.iqdfrequencyproducts.com

Typical Frequency Stability Characteristics



Reflow Temperature Profile



Electrical Specification - maximum limiting values

Frequency	Temperature Range	Stability (Min)	Over Tone Order	ESR
	°C	ppm		Ω
32.768000kHz	-40 to 85	-	Fundamental	40,000

Sales Office Contact Details:

UK: +44 (0)1460 270200
Germany: 0800 1808 443

France: 0800 901 383
USA: +1.760.318.2824

Email: info@iqdfrequencyproducts.com
Web: www.iqdfrequencyproducts.com